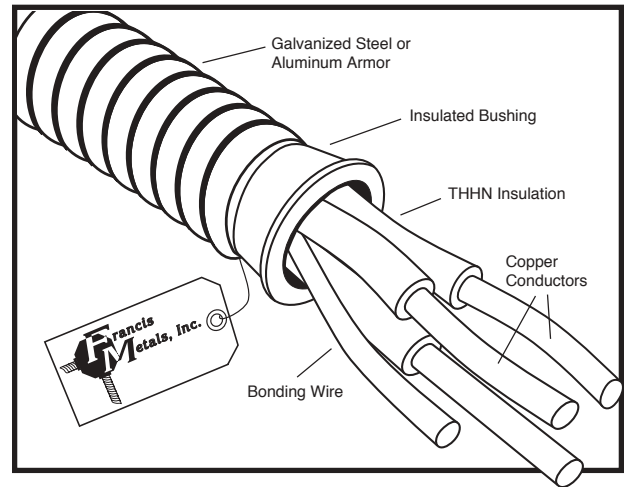



Francis Metals, Inc. Armored Cable-90°[®]

Francis Metals, Inc. delivers only the highest quality armored cable that meets standards set by Underwriters Laboratories. Each coil bears the UL label and meets Federal Specifications J-C-30, Amendment No. 1. Armored cable is a safe, modern and economical alternative to EMT and wire, or greenfield and wire for commercial, residential and industrial applications. Fire-safety is enhanced because the wires are encased in a metal jacket which also serves as an additional ground-fault path (along with the separate bonding wire running underneath the armor).

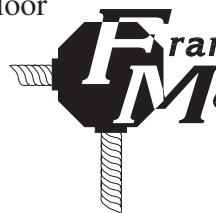


Francis Metals, Inc. armored cables are manufactured with the “Mark of Excellence”[®]

- UL listed and labeled (Standard #4 Type ACTHH 90°) 
- Article 333 of NEC approved wiring method.
- Commercial, residential, and industrial applications.
- Cable tray rated.
- Crush resistant, penetration resistant, rodent proof.
- Can be used for hard-wiring lighting fixtures and high-temperature conditions up to 90°C.
- Easy installation, consistent color coding, ideal for rewiring.
- Made in the U.S.A. fully pre-assembled and inspected.

Armored Cable applications:

- Construction sites—office and commercial buildings, industrial plants, residential housing, and multifamily apartments.
- Reconstruction, renovations, and rehabilitation projects.
- Above suspended ceilings and under-floor wiring, 90°C rated fixtures.



Francis Metals, Inc.
90 West Main Street
Freehold, NJ 07728
Phone (732) 761-0500 Fax (732) 761-0538



Armored Cable-90[®] Product List Weights and Measurements

Solid ACTHH			Stranded ACTHH		
Trade Size	Coil Length in Feet	Approx. Weight per 1,000 Feet / lbs steel / aluminum	Trade Size	Coil Length in Feet	Approx. Weight per 1,000 Feet
14-2	250	175 / 80	8-2	200	335
14-3	250	190 / 100	8-3	200	415
14-4	250	215 / 120	8-4	125	600
12-2	250	200 / 100	6-2	125	530
12-3	250	230 / 130	6-3	125	655
12-4	250	260 / 155	6-4	100	790
10-2	250	230 / 135			
10-3	250	280 / 180			
10-4	250	335 / 225			
8-2	200	320 / 225			
8-3	200	395 / 290			
8-4	100	480 / 360			

Type of Armored Cable: ACTHH

Type of Circuit Conductor: THHN

		Solid Wire		Stranded Wire	
AWG Size of Circuit Conductors		Internal Diameter	External Diameter	Internal Diameter	External Diameter
Cable with two circuit conductors and no grounding conductor	14	0.260	0.433		
	12	0.270	0.467		
	10	0.316	0.476		
	8	0.410	0.570	0.444	0.604
	6			0.520	0.700
Cable with three circuit conductors and no grounding conductor and cable with two circuit conductors and a grounding conductor	14	0.280	0.453		
	12	0.295	0.489		
	10	0.340	0.500		
	8	0.441	0.601	0.477	0.637
	6			0.559	0.739
Cable with four circuit conductors and no grounding conductor and cable with three circuit conductors and a grounding conductor	14	0.320	0.486		
	12	0.335	0.520		
	10	0.381	0.541		
	8	0.494	0.654	0.535	0.695
	6			0.627	0.807
Cable with four circuit conductors and a grounding conductor and cable with two circuit conductors and a grounding conductor	14	0.345	0.522		
	12	0.370	0.545		
	10	0.427	0.587		
	8	0.554	0.714	0.599	0.759
	6			0.702	0.882

(All diameter measurements in inches)